



LAMBERT LOCOMOTIVE WORKS



## Lambert Locomotive Works

Complete Slopeback Kit  
LLW-TBS10A1

## **Kit Background**

The genesis for the TBS10A1 comes from the original slopeback tender body that LLW launched as its first product. The A1 takes the original TBS10 and packages it into a full kit. You'll simply need paint and tools to put it together and make use of it.

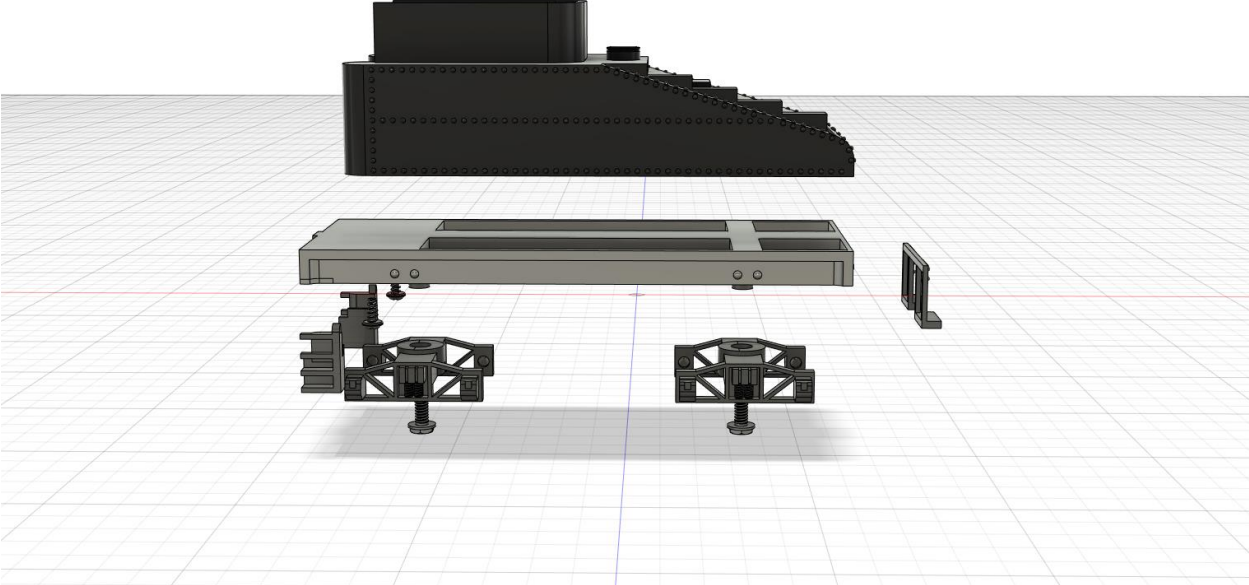
## **Kit Contents**

1x Resin Cast Tender Body  
1x Nylon Tender Frame  
2x Tender Trucks  
4x Wheelsets  
1x Kadee #148 coupler  
1x Kadee #242 Coupler Box  
2x Self Tapping Screws (for body mounting)  
2x Truck Mounting Screws  
2x Tender Step Boxes  
1x Stepboard Attachment

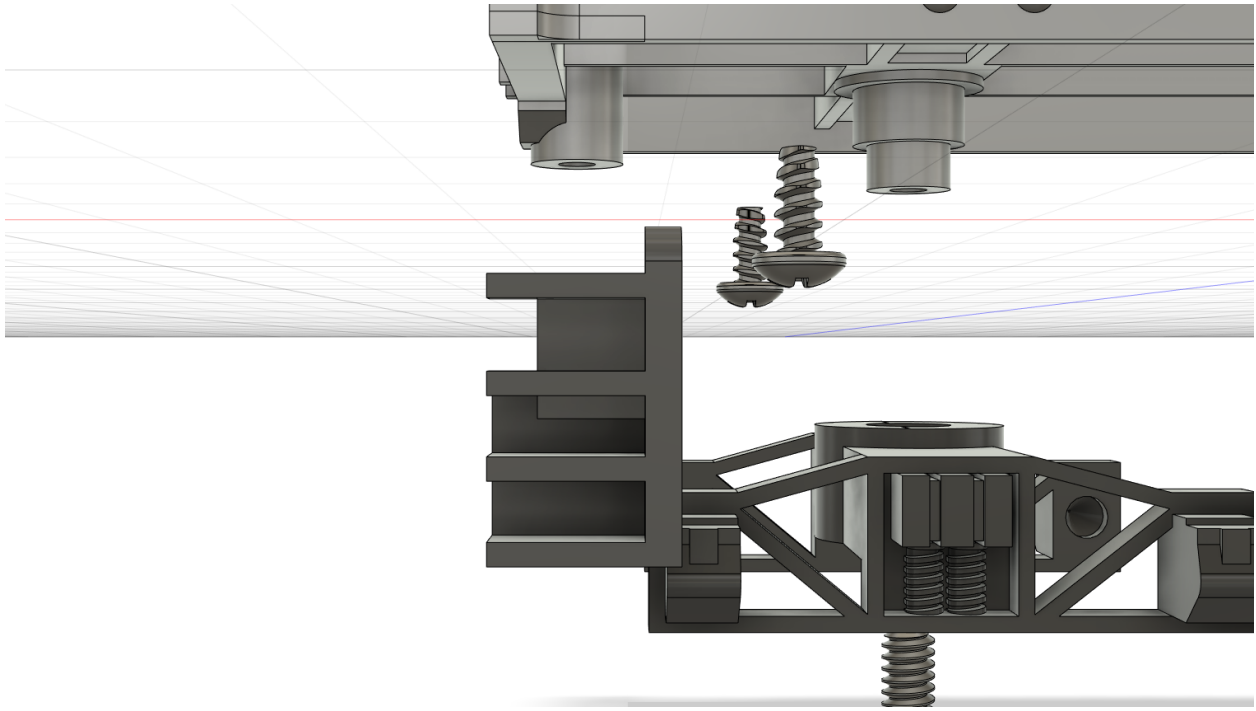
## **Recommended Tools**

Screwdriver, Philips head and Flathead  
1x drillbit, 2mm or comparable drillbit size (#45 or #46 may do)  
Superglue

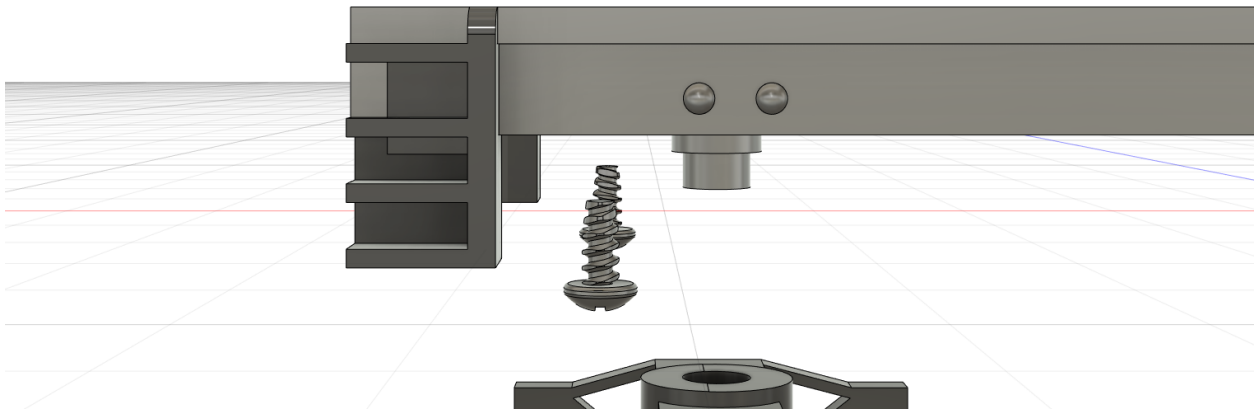
**Assembly Instructions**



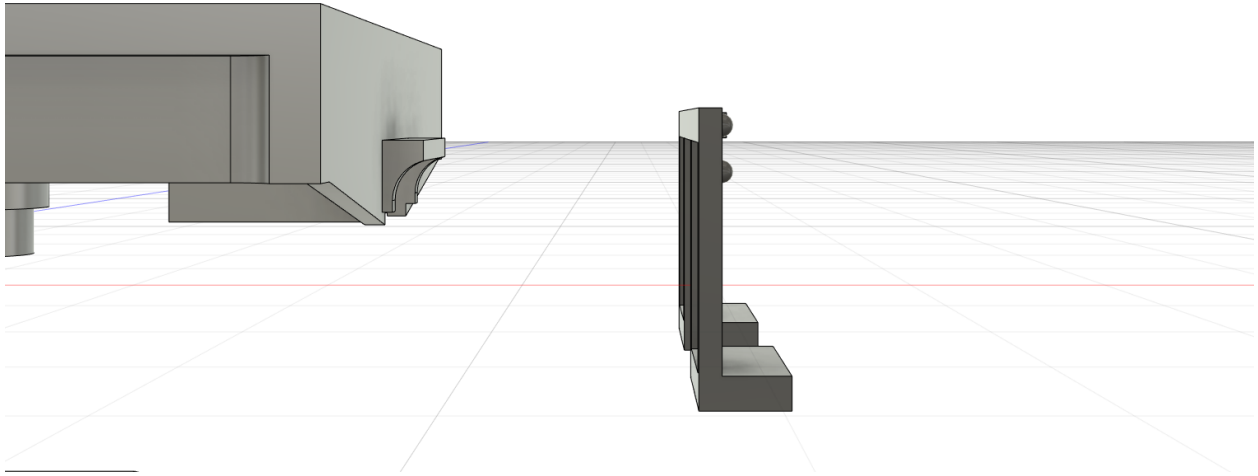
Using the CAD program the parts were designed in, we'll show the main points of assembly.



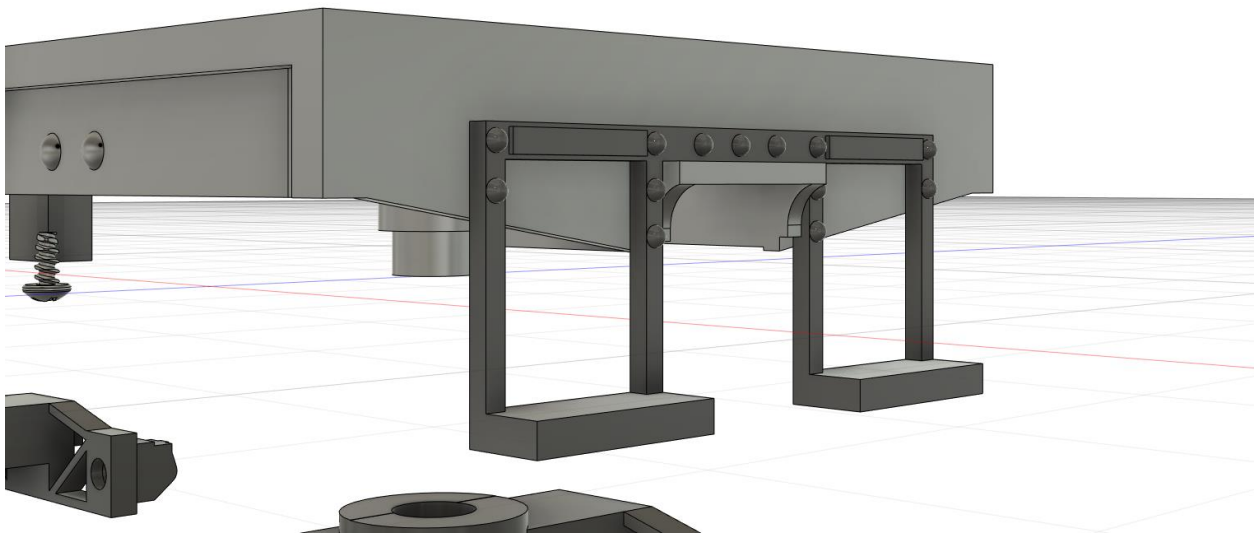
First things first, the tender steps. They are profiled in a way to allow them to simply slip over the tender frame.

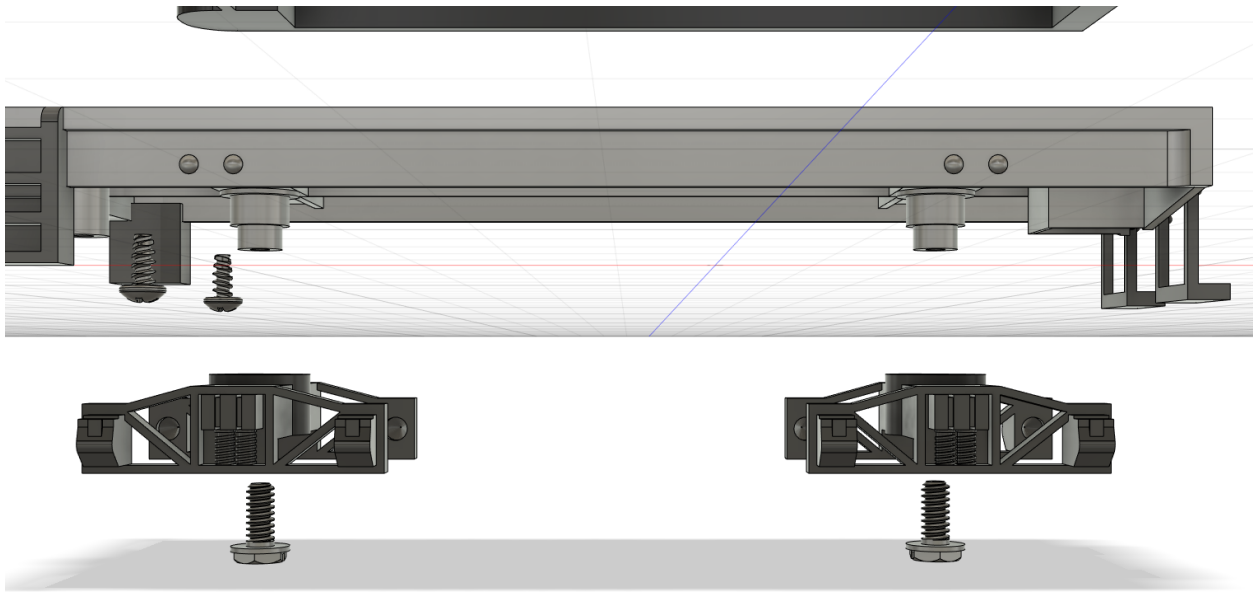


Simply slip over the frame and glue in place.

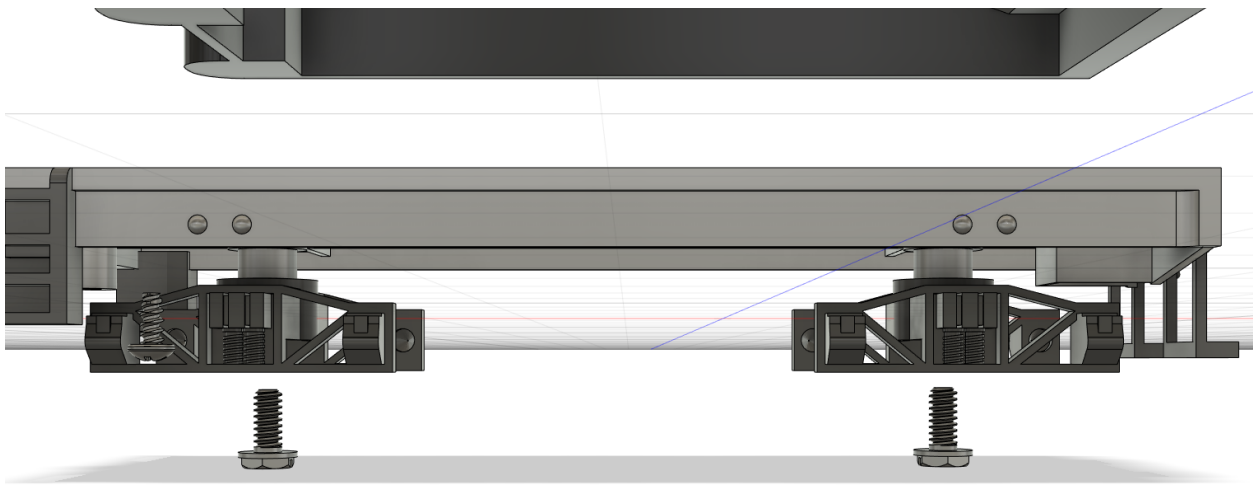


The rear tender step boards are fitted with the same method. Slip over the coupler box and glue into place.

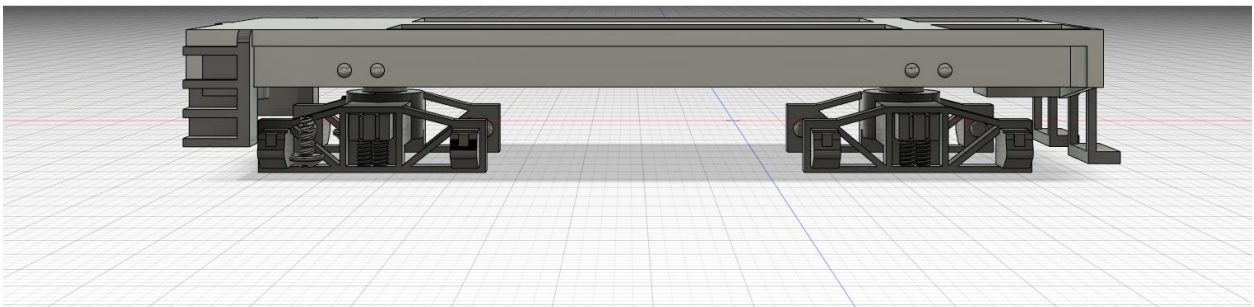
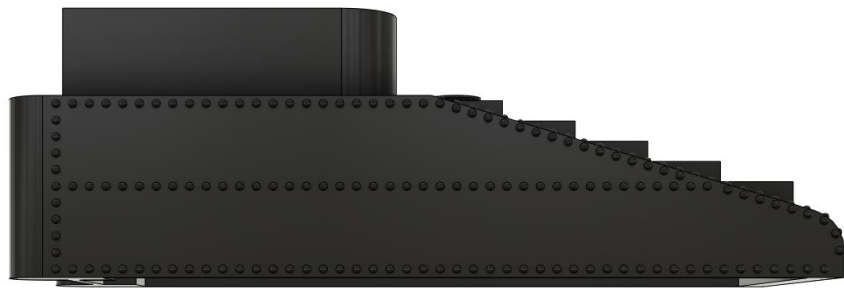
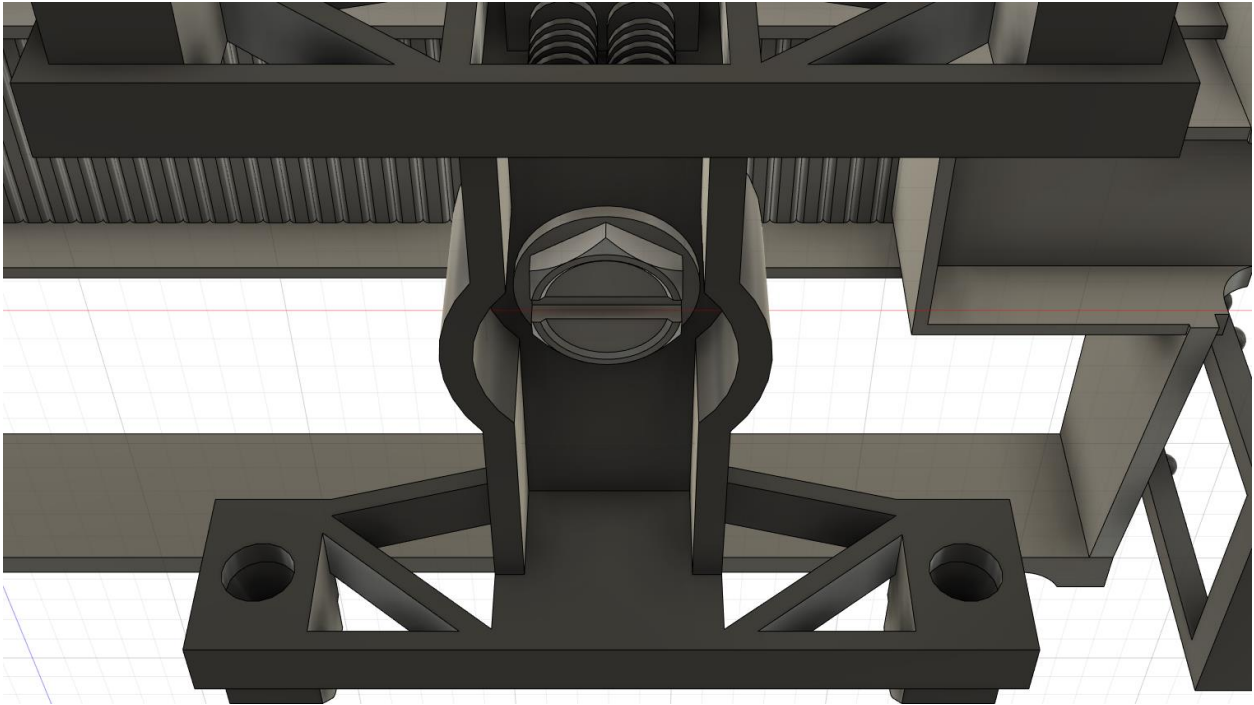




Fitting the trucks will be simple. They slot onto the pegs on the tender frame.



Before you can insert the truck screws, you'll likely need to bore out the screw holes on the frame to allow them to be fitted. The screws, being metal, should thread into the nylon frame without much issue. Do note that these can be driven home with a nut driver.



Fitting the tender body will be simple, however you'll need to drill pilot holes in the frame that line up with the water legs on the tender for mounting. The screws meant for mounting the body are self tapping types that should be able to easily bite into the resin.

Example of completed tender



